

FEATURES

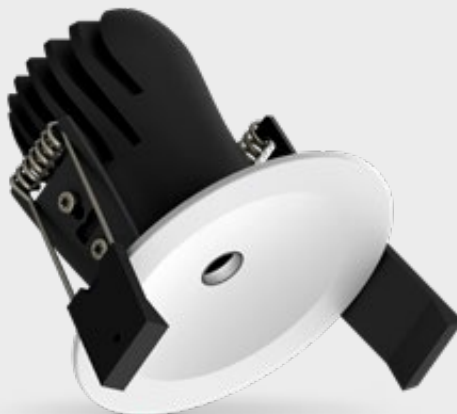
- High end aluminum heatsink with a unique elegant design
- PCB with a high power Lumileds Powerleds in 2700K, 3000K and 4000K
- Illuxtron patented optical lens system that makes pin-hole light possible
- Anti glare cap that ensures no stray light. The total light opening is only 8mm!

Bartenbach
lighting optics



SPRINGS

Standard with WS springs (gyproc/metal). Also available as above with CS springs (concrete).



COLOURS

Available colours:



Matt white RAL 9016 (XX=MW)
Matt black RAL 9005 (XX=BL)

Pointer 68 fix (Gen2)

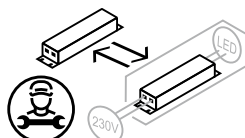
Fixed

SPECIFICATIONS

Beam angle (FWHM)	35° (45° FWTM) / 60° (80° FWTM)
Fixture material	Die cast aluminium
Environment	Indoor
IK rate	IK10
Operating temperature (Ta)	-20°C / +45°C ¹
Safety marks	EN60598 / EN62031 / EN62471
EMC compliance	EN55015
Colour consistency (SDCM)	MacAdam step 3
Warranty	7 years * (within the European Union and the countries of the Free Trade Association for products delivered after 1 May 2015)
Energy class	These products contains a light source of energy efficiency class F (2700K/3000K) / E (4000K)

This luminaire contains built-in LED lamps. There are no exchangeable parts inside the luminaire. EU 874/2012

¹ In applications with a flat roof (fi. car showrooms) the temperatures may exceed 45°C. Please ask our sales office for a special driver.



Only when the product is installed in a closed ceiling it may be exposed to water splashes, and only on its front side.

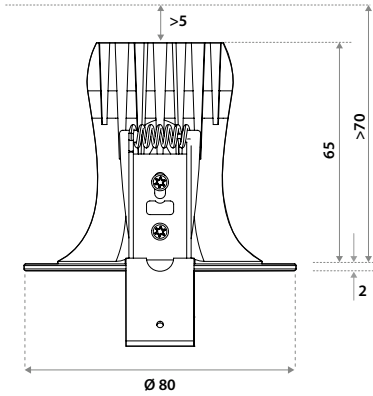
IP20

IP44

POINTER 68 FIX VARIATIONS

Pointer 68 fix LV	220-240V	incl. power supply	page 3
Pointer 68 fix LV-C	700mA	to be connected to a central power supply	page 4

DIMENSIONS



HOLE SIZE



Using WS springs: Ø 68-75 mm.
Thickness ceiling 1-30 mm
& recess depth 70 mm.

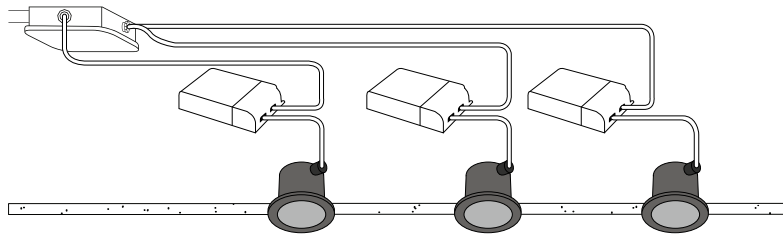
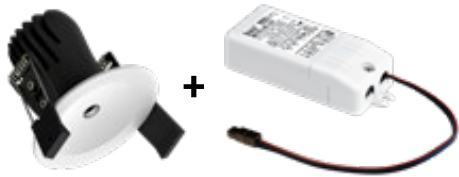


Using CS springs: Ø 68-75 mm.
Thickness ceiling 5-70 mm
& recess depth 70 mm.

POINTER 68 FIX (dimmable - incl. individual power supply)

220-240V

Downlight incl. PSU



ITEM SPECIFICATIONS (PART A)

Description	Item code WS	Item code CS	Input	W	Lm	Lm/W	CRI (typ.)	UGR	Pf	Ripple	Inrush current	B-16A Fuse
Pointer 68 fix LV 35° 500Lm 2700K Triac dim	OP2803XXWU13	OP2803XXLN13	220-240V	9,2	500	54	85	7.2	0.96	<20%	2A 50µS	50 pcs
Pointer 68 fix LV 35° 525Lm 3000K Triac dim	OP2803XXWV13	OP2803XXLP13	220-240V	9,2	525	57	85	7.3	0.96	<20%	2A 50µS	50 pcs
Pointer 68 fix LV 35° 550Lm 4000K Triac dim	OP2803XXWW13	OP2803XXLQ13	220-240V	9,2	550	60	85	7.5	0.96	<20%	2A 50µS	50 pcs
Pointer 68 fix LV 60° 550Lm 2700K Triac dim	OP2803XXWX13	OP2803XXLR13	220-240V	9,2	550	60	85	17.5	0.96	<20%	2A 50µS	50 pcs
Pointer 68 fix LV 60° 600Lm 3000K Triac dim	OP2803XXWY13	OP2803XXLS13	220-240V	9,2	600	65	85	17.8	0.96	<20%	2A 50µS	50 pcs
Pointer 68 fix LV 60° 650Lm 4000K Triac dim	OP2803XXWZ13	OP2803XXLT13	220-240V	9,2	650	71	85	18.0	0.96	<20%	2A 50µS	50 pcs
Pointer 68 fix LV 35° 500Lm 2700K 1-10V & Push	OP2803XX XU13	OP2803XX YA13	220-240V	9,2	500	54	85	7.2	0.95	<3%	5A 50µS	50 pcs
Pointer 68 fix LV 35° 525Lm 3000K 1-10V & Push	OP2803XX XV13	OP2803XX YB13	220-240V	9,2	525	57	85	7.3	0.95	<3%	5A 50µS	50 pcs
Pointer 68 fix LV 35° 550Lm 4000K 1-10V & Push	OP2803XX XW13	OP2803XX YC13	220-240V	9,2	550	60	85	7.5	0.95	<3%	5A 50µS	50 pcs
Pointer 68 fix LV 60° 550Lm 2700K 1-10V & Push	OP2803XX XX13	OP2803XX YD13	220-240V	9,2	550	60	85	17.5	0.95	<3%	5A 50µS	50 pcs
Pointer 68 fix LV 60° 600Lm 3000K 1-10V & Push	OP2803XX XY13	OP2803XX YE13	220-240V	9,2	600	65	85	17.8	0.95	<3%	5A 50µS	50 pcs
Pointer 68 fix LV 60° 650Lm 4000K 1-10V & Push	OP2803XX XZ13	OP2803XX YF13	220-240V	9,2	650	71	85	18.0	0.95	<3%	5A 50µS	50 pcs
Pointer 68 fix LV 35° 500Lm 2700K Dali	OP2803XX W013	OP2803XX L013	220-240V	9,2	500	54	85	7.2	0.95	<3%	5A 50µS	50 pcs
Pointer 68 fix LV 35° 525Lm 3000K Dali	OP2803XX W113	OP2803XX L113	220-240V	9,2	525	57	85	7.3	0.95	<3%	5A 50µS	50 pcs
Pointer 68 fix LV 35° 550Lm 4000K Dali	OP2803XX W213	OP2803XX L213	220-240V	9,2	550	60	85	7.5	0.95	<3%	5A 50µS	50 pcs
Pointer 68 fix LV 60° 550Lm 2700K Dali	OP2803XX W313	OP2803XX L313	220-240V	9,2	550	60	85	17.5	0.95	<3%	5A 50µS	50 pcs
Pointer 68 fix LV 60° 600Lm 3000K Dali	OP2803XX W413	OP2803XX L413	220-240V	9,2	600	65	85	17.8	0.95	<3%	5A 50µS	50 pcs
Pointer 68 fix LV 60° 650Lm 4000K Dali	OP2803XX W513	OP2803XX L513	220-240V	9,2	650	71	85	18.0	0.95	<3%	5A 50µS	50 pcs

ITEM SPECIFICATIONS (PART B)

Description	Safety class	Energy class	Weight	Dimensions single carton	Quantity per carton	Expected lifespan B10 reported (25°C)		
						L70B10	L80B10	L90B10
Pointer 68 fix LV 2700K	II	F	304 gr	105x105x105 mm	42 pcs	>60.000 hrs	>60.000 hrs	>60.000 hrs
Pointer 68 fix LV 3000K	II	F	304 gr	105x105x105 mm	42 pcs	>60.000 hrs	>60.000 hrs	>60.000 hrs
Pointer 68 fix LV 4000K	II	E	304 gr	105x105x105 mm	42 pcs	>60.000 hrs	>60.000 hrs	>60.000 hrs

All values are measured at 230V (+/- 7%)

INCL. PSU

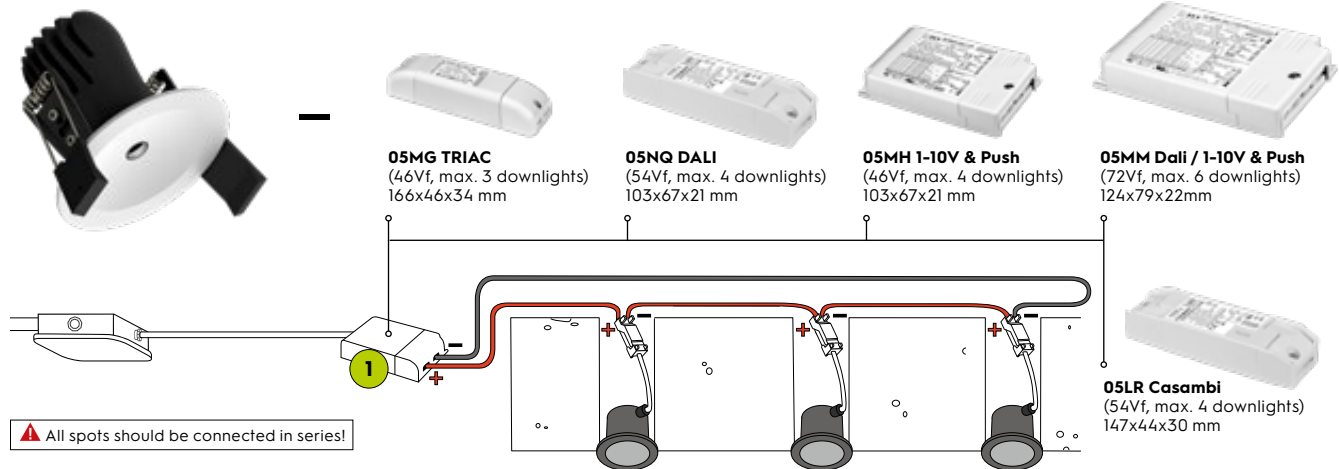
- PSU TC1 127046 Triac dim 102x38x21 mm
- PSU TC1 125400 1-10V & Push 102x38x21 mm
- PSU TC1 127576 Dali 147x44x22 mm



Cable 150 mm

POINTER 68 FIX (dimmable - excl. central power supply)

700 mA



ITEM SPECIFICATIONS (PART A)

Description	Item code WS	Item code CS	Input	Vf	W	Lm	Lm/W	CRI (typ.)	UGR	Pf	Ripple	Inrush current	B-16A Fuse
Pointer 68 fix LV-C 700mA 35° 500 Lm 2700K	0P2803XXWU11	0P2803XXLN11	700mA	11,5	8,0	500	63	85	7.2	x	x	x	x
Pointer 68 fix LV-C 700mA 35° 525 Lm 3000K	0P2803XXWV11	0P2803XXLP11	700mA	11,5	8,0	525	66	85	7.3	x	x	x	x
Pointer 68 fix LV-C 700mA 35° 550 Lm 4000K	0P2803XXWW11	0P2803XXLQ11	700mA	11,5	8,0	550	69	85	7.5	x	x	x	x
Pointer 68 fix LV-C 700mA 60° 550 Lm 2700K	0P2803XXWX11	0P2803XXLR11	700mA	11,5	8,0	550	69	85	17.5	x	x	x	x
Pointer 68 fix LV-C 700mA 60° 600 Lm 3000K	0P2803XXWY11	0P2803XXLS11	700mA	11,5	8,0	600	75	85	17.8	x	x	x	x
Pointer 68 fix LV-C 700mA 60° 650 Lm 4000K	0P2803XXWZ11	0P2803XXLT11	700mA	11,5	8,0	650	81	85	18.0	x	x	x	x

ITEM SPECIFICATIONS (PART B)

Description	Safety class	Energy class	Weight	Dimensions single carton	Quantity per carton	Expected lifespan B10 reported (25°C)		
						L70B10	L80B10	L90B10
Pointer 68 fix LV-C 700mA 2700K	III	F	254 gr	105x105x105 mm	42 pcs	>60.000 hrs	>60.000 hrs	>60.000 hrs
Pointer 68 fix LV-C 700mA 3000K	III	F	254 gr	105x105x105 mm	42 pcs	>60.000 hrs	>60.000 hrs	>60.000 hrs
Pointer 68 fix LV-C 700mA 4000K	III	E	254 gr	105x105x105 mm	42 pcs	>60.000 hrs	>60.000 hrs	>60.000 hrs

ITEM SPECIFICATIONS (PART A)

Description	Item code	Input	Watt	Current	Efficiency	Pf	Ripple	Weight	Inrush current	B-16A Fuse
PSU 32W 700mA Triac (I)	05MG03MLMF00	220-240V	32W (46Vf)	700mA	85%	0.97	<3%	138 gr	5A 50µS	50 pcs
PSU 38W 700mA Dali (I)	05NQ03MLMF00	220-240V	38W (54Vf)	700mA	90%	0.95	<3%	139 gr	5A 50µS	50 pcs
PSU 32W 700mA 1-10V & Push (I)	05MH03MLMF00	220-240V	32W (46Vf)	700mA	90%	0.95	<3%	138 gr	5A 50µS	50 pcs
PSU 36W 700mA Casambi (I)	05LR03MLMD00	220-240V	36W (51Vf)	700mA	90%	0.95	<3%	139 gr	5A 50µS	50 pcs
PSU 50W 700mA Dali / 1-10V & Push (I)	05MM03MLMF00	220-240V	50W (72Vf)	700mA	89%	0.95	<3%	218 gr	20A 400µS	50 pcs

All values are measured at 230V (+/- 7%)

INCLUDING CONNECTION BOX

For installation to a central power supply.

